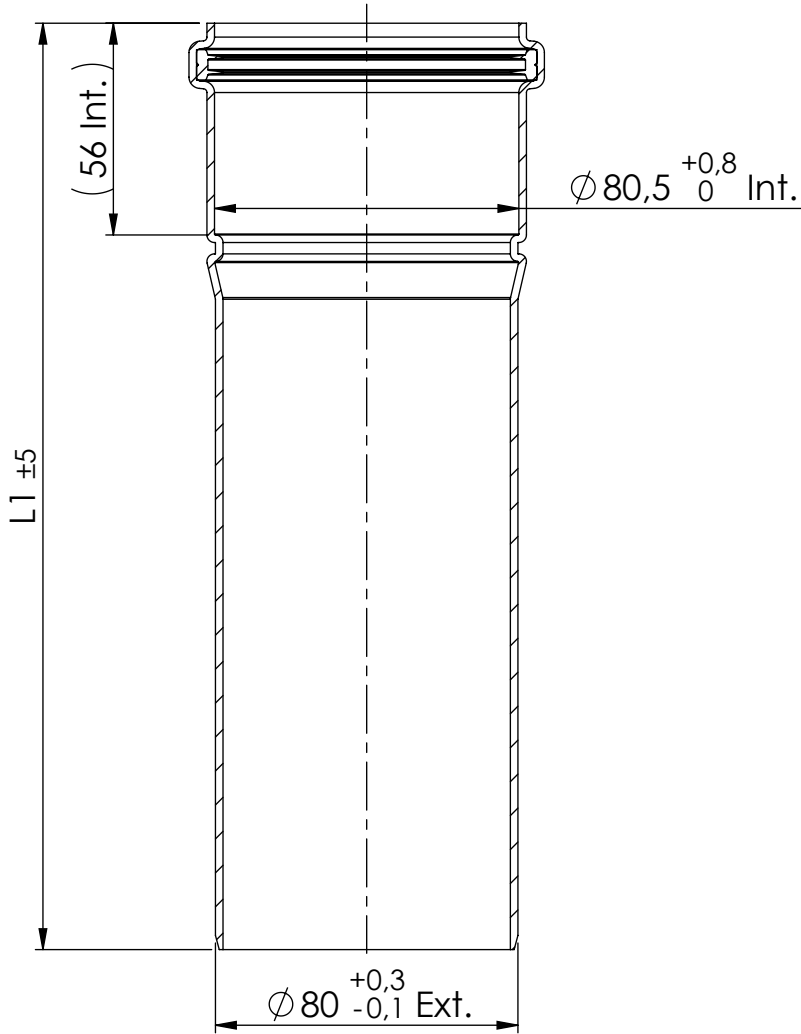
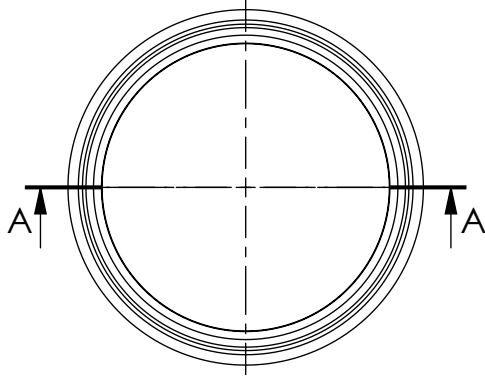


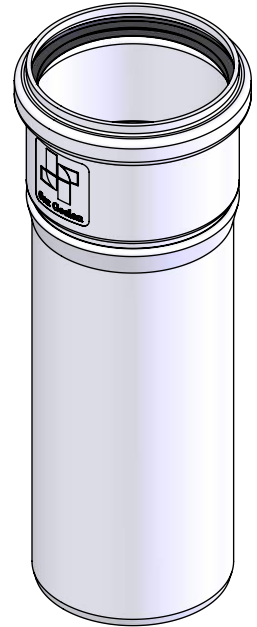
This drawing is property of Cox Geelen and may not be copied in whole or in part without the prior written consent of the owner


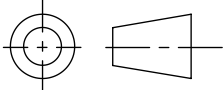
Revisions			Created	Checked
00	Production drawing	13020	29-04-2016	F. Knoops C. Vaessen

Lnom.	L1
250	245
500	495
1000	995
1950	1945
3000	2995



SECTION A-A



Scale: 1:10	Unit of measure: mm	Material: -	Comments: (L0697)
Title: Flue Pipe ø80 PP			
CAD Model: Pipe 80 Flue white Configuration: General drawing			
 Cox Geelen www.coxgeelen.com	Tolerances: $\varnothing = \pm 0.5$ $L = \pm 3$ $< = \pm 3^\circ$	Projection: 	Dwg. no. : B0014P00 A4