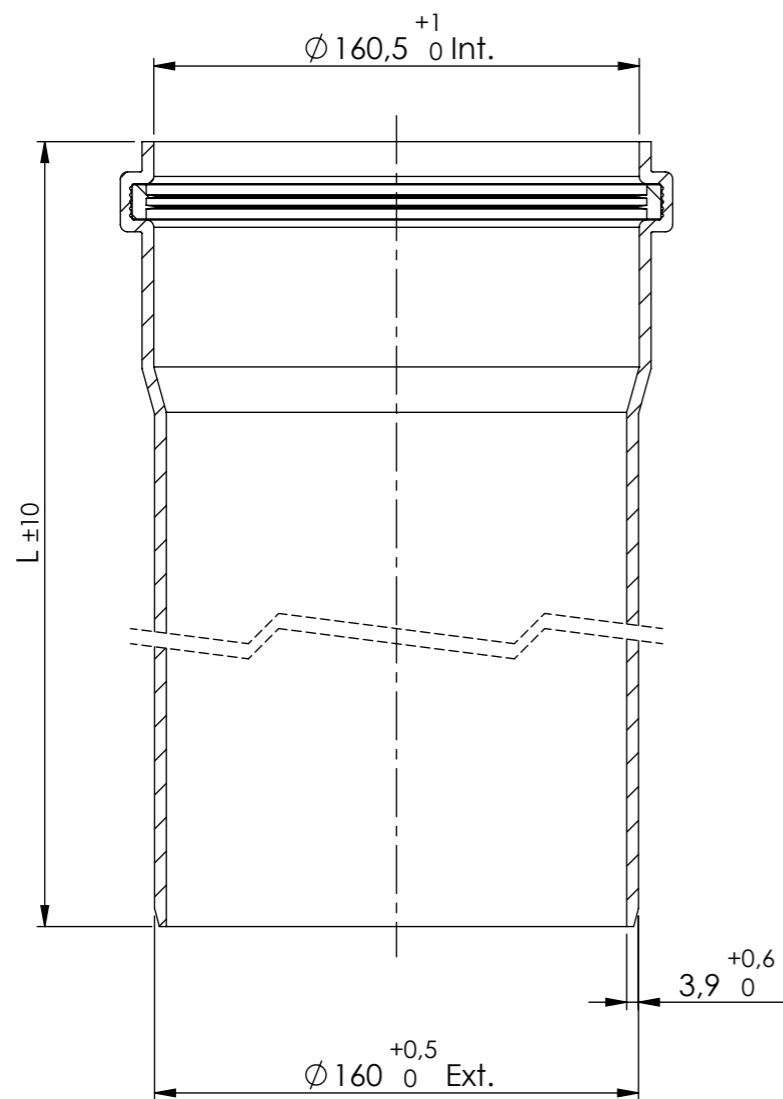
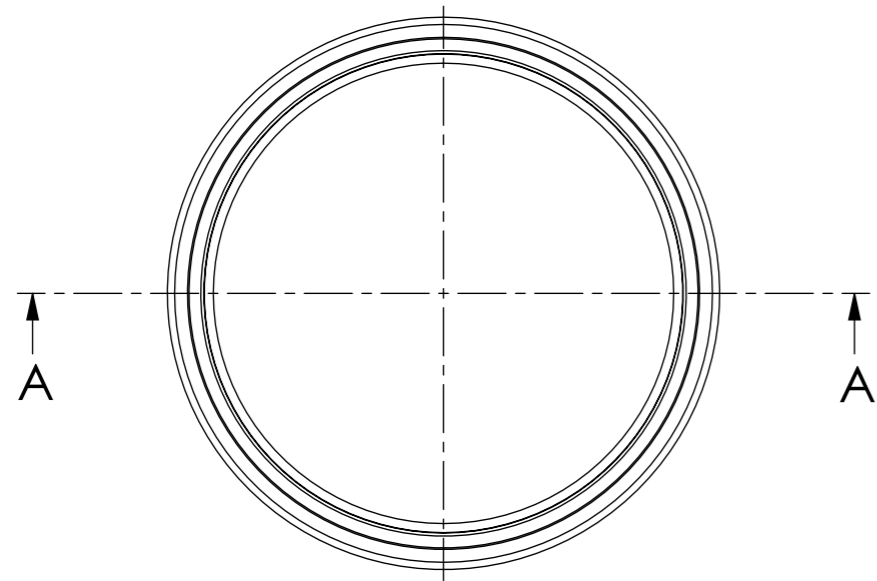
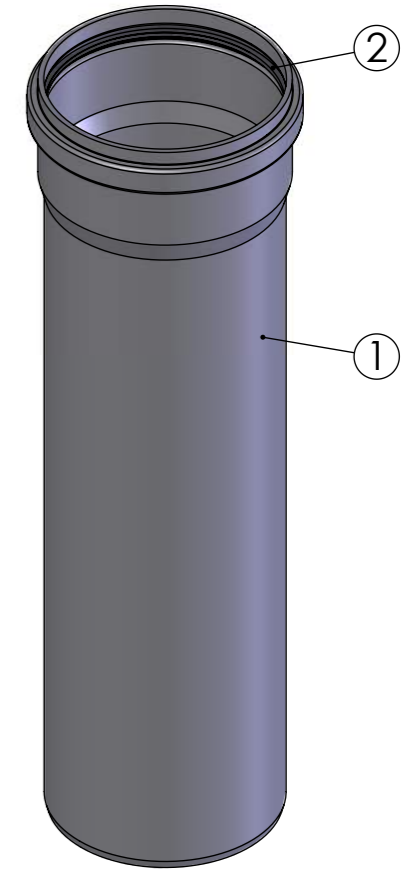


This drawing is property of Cox Geelen and may not be copied in whole or in part without the prior written consent of the owner

L (mm)
583
1083
2083



SECTION A-A




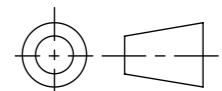
2	1	Seal $\varnothing 160$	EPDM Flue gas	L0295	891378
1	1	Flue pipe $\varnothing 160$	PPs	-	-
Pos.	QTY.	Description	Material	Drawing	Part nr

Unit of measure: mm	Name: P. Verspaget	Date: 12-06-2008	Material: -
---------------------	--------------------	------------------	-------------

Scale: 1:2.5	Checked: L. Goessen	Date: 12-06-2008	Comments:
--------------	---------------------	------------------	-----------

Title: Flue Pipe $\varnothing 160$	Purchase drawing: L0289
---------------------------------------------------------	-------------------------

CAD Model: PPs Pijp D160	
Configuration: Verzameltek.	

 Cox Geelen www.coxgeelen.com	Tolerances: $\varnothing = \pm 0,5$ $L = \pm 3$ $< = \pm 3^\circ$	Projection: 	Dwg. no. : A0776 P00 A3
	00 Production drawing 0694 12-06-2008 PaVe Revisions		