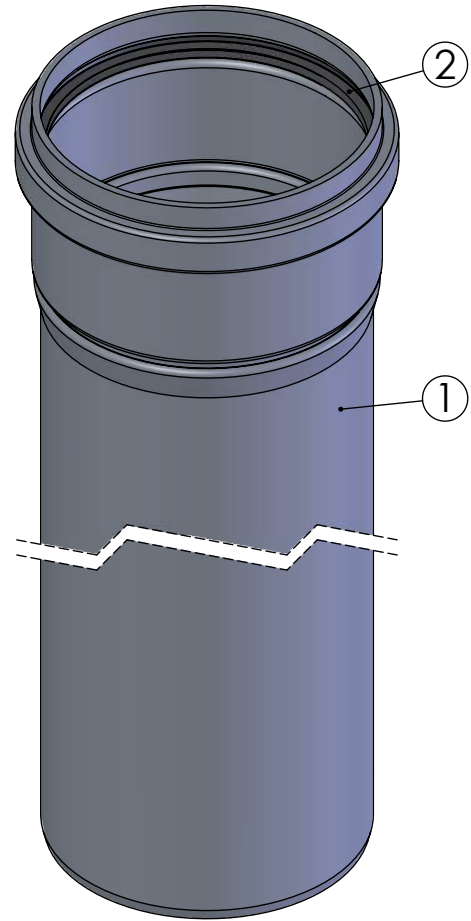
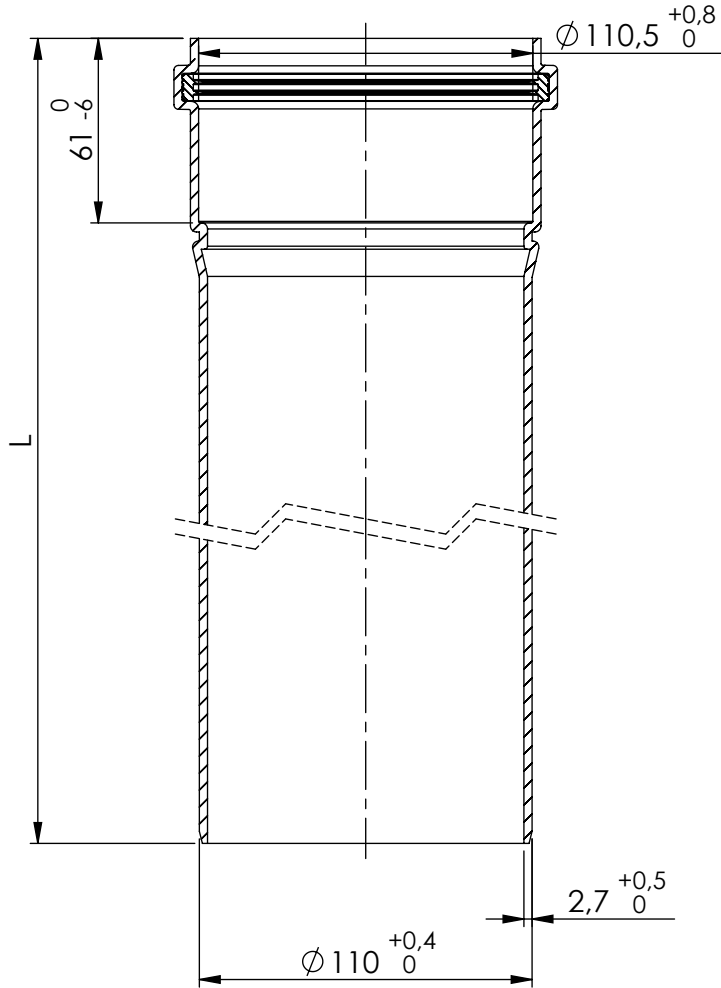


This drawing is property of Cox Geelen and may not be copied in whole or in part without the prior written consent of the owner

Revisions			
00	Production drawing	12002	08-10-2012 RoHo
01	Table changed	16001	03-03-2016 FrKn

L	Tol.
225	+3/-3
250	+3/-3
500	+0/-10
540	+0/-10
570	+0/-10
700	+0/-10
900	+0/-10
1000	+0/-10
1179	+0/-10
1950	+0/-10



2	1	Seal $\varnothing 110$	EPDM Flue gas	L0295	891198
1	1	Flue pipe $\varnothing 110$	PPs	-	-
Pos.	QTY.	Description	Material	Drawing	Part nr

Unit of measure:	Name: R. Houwen	Date: 08-10-2012	Material: -
------------------	-----------------	------------------	-------------

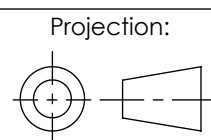
Scale: 1:2.5	Checked: L. Goessen	Date: 08-10-2012	Mass[g]: -
--------------	---------------------	------------------	------------

Title: Flue pipe $\varnothing 110$ PPs	Comments: Old drawing: L0287
---	---------------------------------

CAD Model: PPs Pijp D110
Configuration: Verzameltek. (L500)



Tolerances:
 $\varnothing = \pm 0,5$
 $L = \pm 3$
 $< = \pm 3^\circ$



Part.no: -	A4
Dwg. no. : A2010P01	