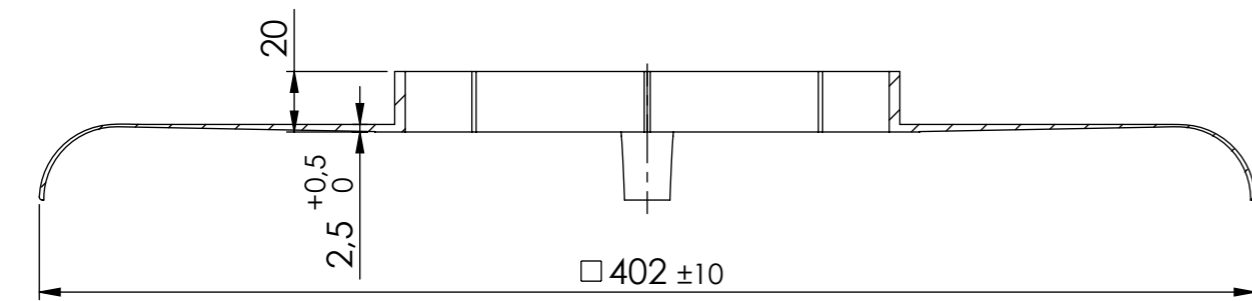
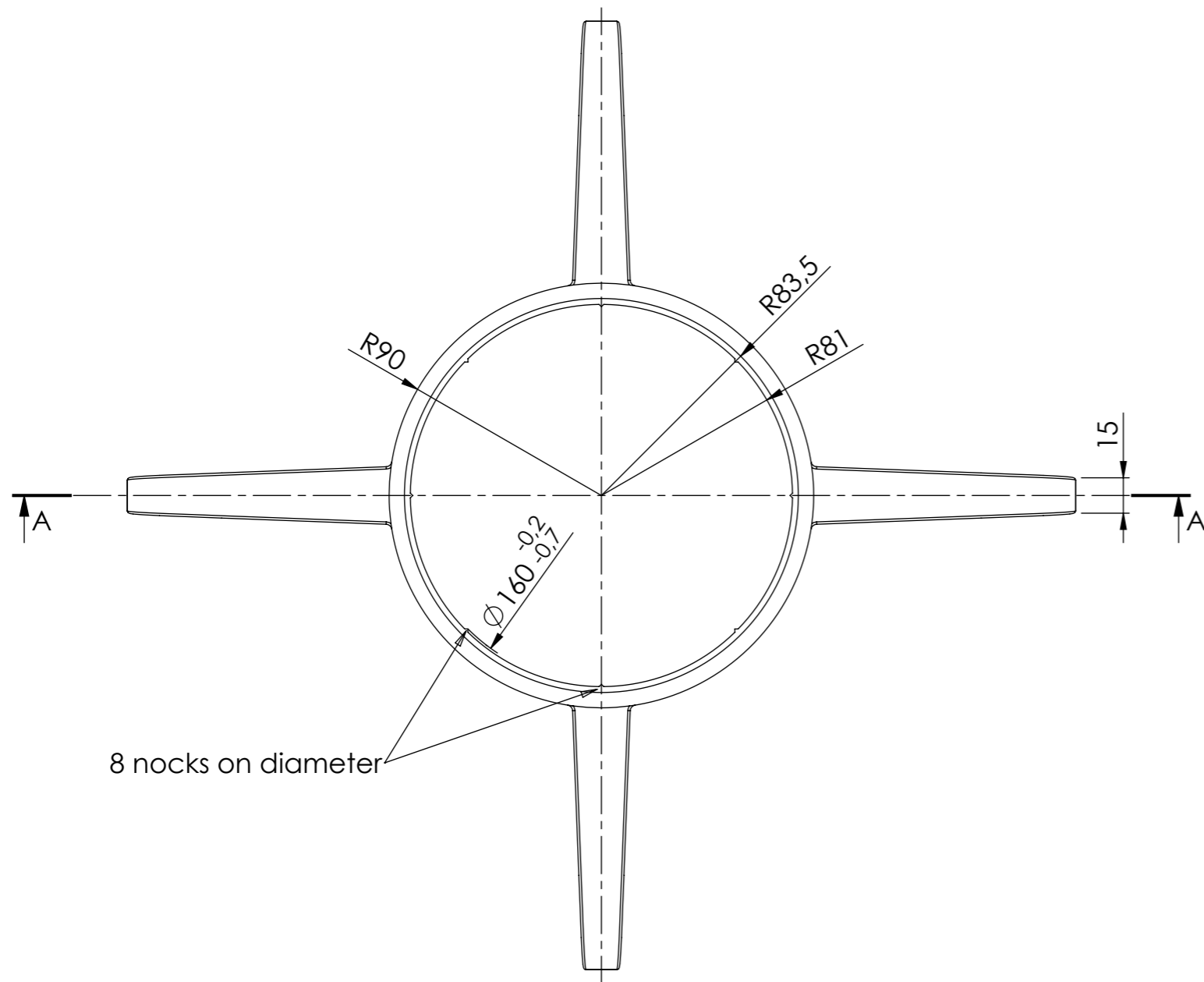
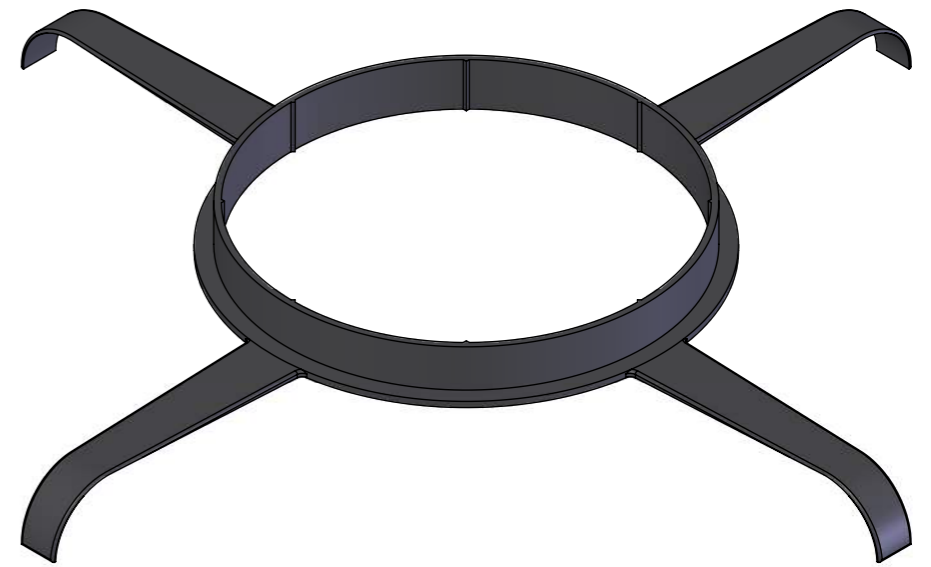


This drawing is property of Cox Geelen and may not be copied in whole or in part without the prior written consent of the owner



SECTION A-A



00	Production drawing	15001	02-04-2015	MaUb
Revisions				

Unit of measure: mm	Name: M. Ubags	Date: 02-04-2015	Material: PP Copolymer
Scale: 1:2.5	Checked: L. Goessen	Date: 02-04-2015	Comments:
Title: Bracing bracket $\varnothing 160$			Colour: Black Purchase drawing: L0159
CAD Model: Afstandhouder Configuration: 160 Sales			
Tolerances: DIN 16.901 Reihe 2		Projection: 	
			Dwg. no. : A2840 P00 A3