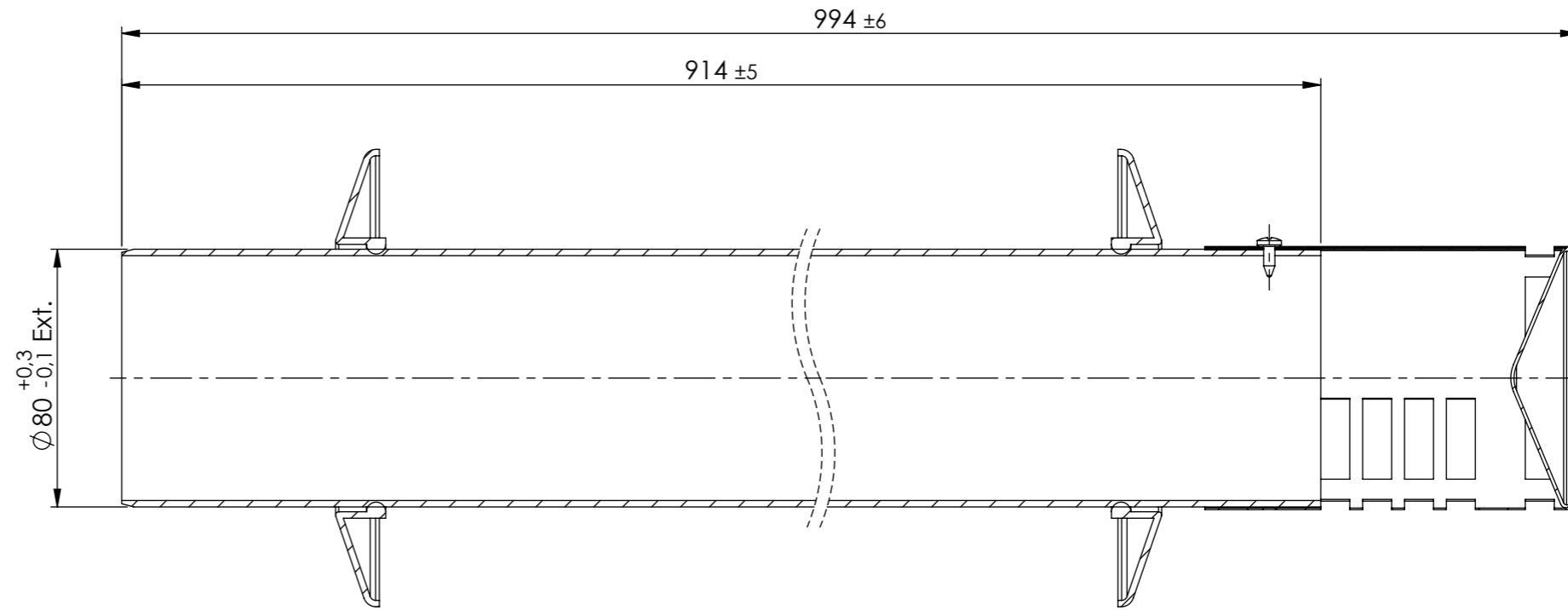
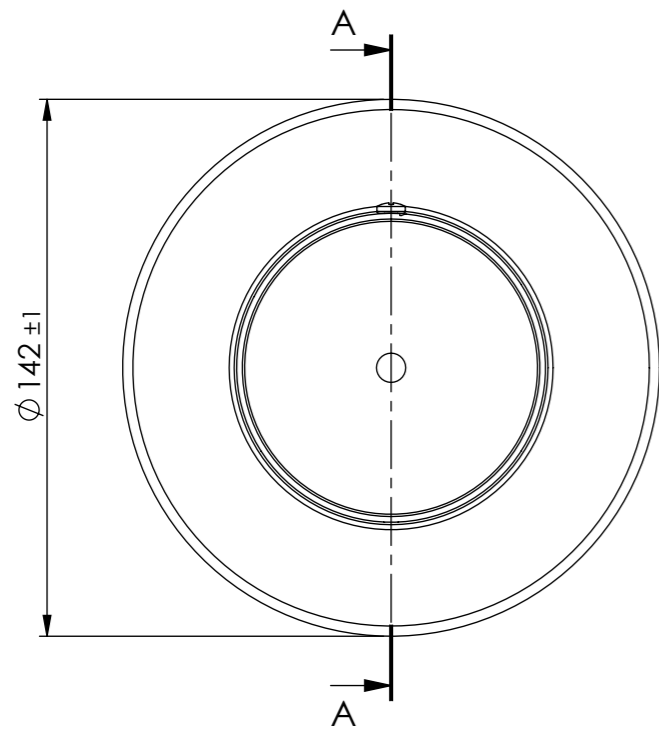
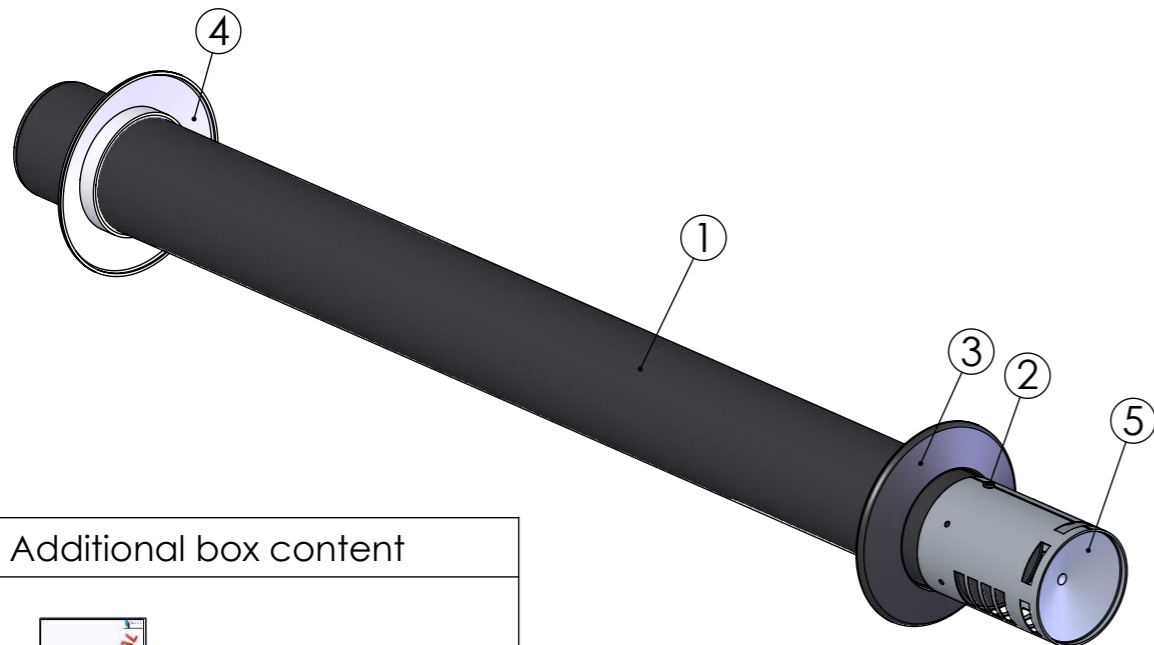


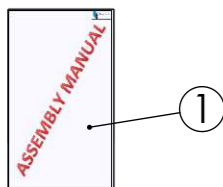
This drawing is property of Cox Geelen and may not be copied in whole or in part without the prior written consent of the owner



SECTION A-A



Additional box content



Pos.	QTY.	Description	Part nr
1	1	Assembly manual	891066

Rev.	Description	Project nr.	Date	Created	Checked
00	Production drawing	13020	05-08-2016	FrKn	CaVa

Pos.	QTY.	Description	Material	Drawing	Part nr
5	1	Flue cap ø80	AISI 304	0134212	-
4	1	Wall plate ø80 (RAL9016)	EPDM	0134245	890903
3	1	Wall plate ø80 (RAL9005)	EPDM	0134245	890902
2	1	Screw 3.5 x 9.5	Stainless A2	-	890045
1	1	Flue Pipe ø80 no socket black	CoxPP-BBB	-	892046

Scale: 1:2    Unit of measure: mm    Material: -    Comments:

Title: Wall terminal flue outlet ø80 PP

CAD Model: 3D0165837    Configuration: Standard    B0144    B

<p><b>Cox Geelen</b> www.coxgeelen.com</p>	<p>Tolerances:</p> <p>ø = ±0.5 L = ±3 &lt; = ±3°</p>	<p>Projection:</p>	<p>Dwg. no. : <b>0137344 P 00</b>    A3</p>