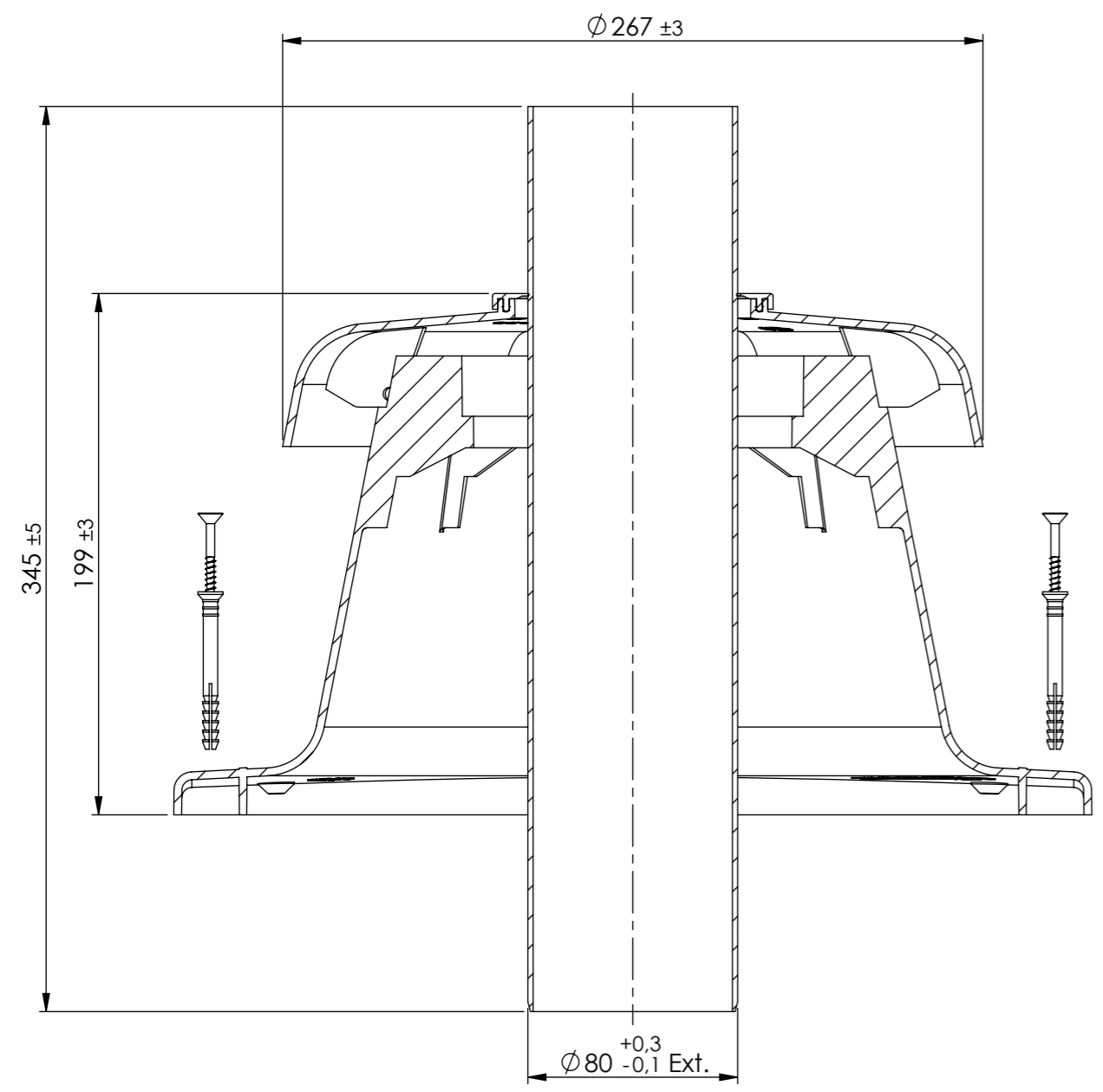
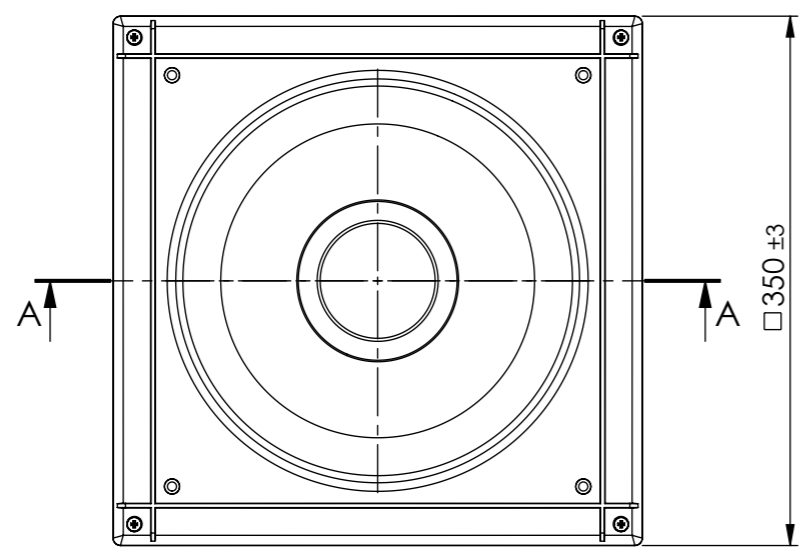
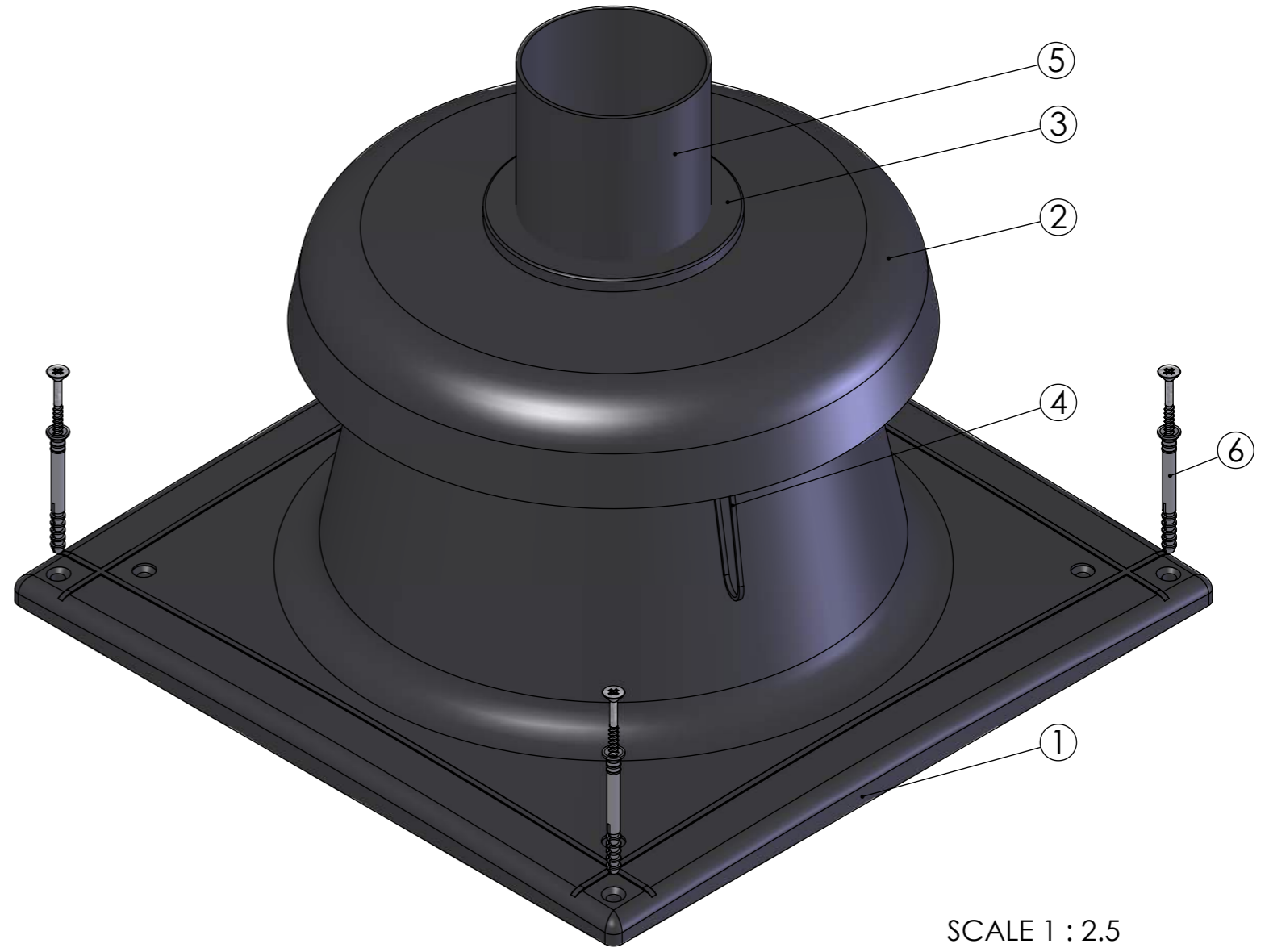


This drawing is property of Cox Geelen and may not be copied in whole or in part without the prior written consent of the owner



SECTION A-A  
SCALE 1 : 2.5



SCALE 1 : 2.5

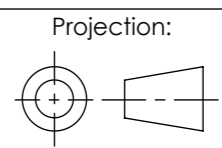
Pos.	QTY.	Description	Material	Drawing	Part nr
6	1	Hammerfix plug ø6 (set of 4 pieces)	-	-	123619
5	1	Flue Pipe ø80 no socket black	CoxPP-BBB	-	891365
4	1	Plastic cord	PA6	07160	890212
3	1	Seal shaft cover	Silicone	07885	-
2	1	Shaftcover hood ø60-70-80	HDPE	A2976	123611
1	1	Shaft cover house	HDPE	A1423	891860

Scale: 1:5    Unit of measure: mm    Material: -    Comments:

Title:  
**Chimney cover 80 incl. pipe**

CAD Model: Shaft cover 80 incl pipe  
Configuration: Default

Tolerances:  
 $\varnothing = \pm 0,5$   
 $L = \pm 3$   
 $< = \pm 3^\circ$



00	Production drawing	13020	01-08-2016	F. Knoop	C. Vaessen
	Revisions			Created	Checked

Dwg. no. : **B0137P00** A3